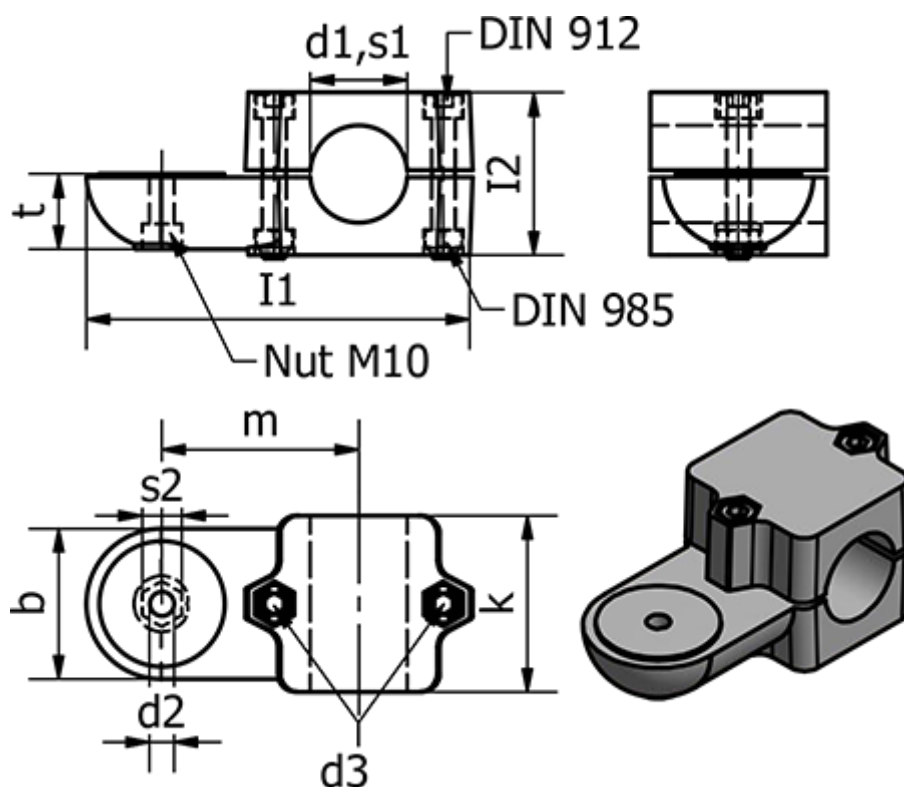


Article number: 20279V40OZ2SW

Description: E+G Swivel clamp connector - GN 279-V40-OZ-2-SW

Measures



| | | | |
|---------------------|---------|------------|-------|
| b | = 65 | k | = 76 |
| Clamping kit for d3 | = - | m | = 85 |
| d1 | = - | s1 | = V40 |
| d2 | = 10.5 | s2 | = 17 |
| d3 | = M10 | t | = 35 |
| d4 | = M10 | Weight (g) | = 845 |
| I1 | = 166.5 | | |
| I2 | = 70 | | |